

**PLEASE CHECK WWW.MOLEX.COM FOR LATEST PART INFORMATION**

**Part Number:** [0740401343](#)  
**Status:** **Active**  
**Overview:** [vhdm](#)  
**Description:** 2.00mm (.079") Pitch 8-Row VHDM™ DaughterCard, 25 Wafers, 200 Circuits, Tin Lead, Guide Module

**Documents:**

[Drawing \(PDF\)](#) [RoHS Certificate of Compliance \(PDF\)](#)  
[Product Specification PS-74031-999 \(PDF\)](#)

**Agency Certification**

UL E29179

**General**

Product Family Backplane Connectors  
 Series [74040](#)  
 Application Backplane  
 Comments Daughter Card  
 Component Type PCB Header  
 Overview [vhdm](#)  
 Product Name VHDM®  
 Style N/A

**Physical**

Circuits (Loaded) 200  
 Circuits (maximum) 200  
 Color - Resin Black  
 Durability (mating cycles max) 200  
 First Mate / Last Break No  
 Flammability 94V-0  
 Guide to Mating Part Yes  
 Keying to Mating Part N/A  
 Material - Metal Copper Alloy  
 Material - Plating Mating Tin-Lead  
 Material - Plating Termination Gold  
 Material - Resin High Performance Thermoplastic  
 Number of Columns 25  
 Number of Pairs N/A  
 Number of Rows 8  
 Orientation Right Angle  
 PCB Locator No  
 PCB Retention None  
 PCB Thickness Recommended (in) 0.070 In  
 PCB Thickness Recommended (mm) 1.80 mm  
 Packaging Type Tube  
 Pitch - Mating Interface (in) 0.079 In  
 Pitch - Mating Interface (mm) 2.00 mm  
 Plating min: Mating (µin) 30  
 Polarized to PCB No  
 Stackable Yes  
 Surface Mount Compatible (SMC) Yes  
 Temperature Range - Operating -55°C to +80°C  
 Termination Interface: Style Through Hole - Compliant Pin

**Electrical**

Current - Maximum per Contact 1A

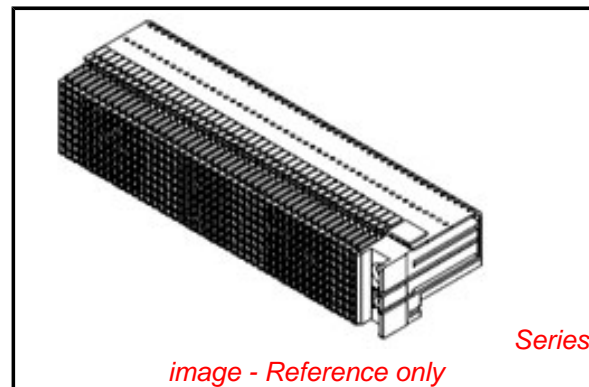


image - Reference only

**EU RoHS**

**RoHS Compliant by Exemption**  
**REACH SVHC Not Reviewed**  
**Halogen-Free Status Not Reviewed**

**China RoHS**



**Need more information on product environmental compliance?**

Email [productcompliance@molex.com](mailto:productcompliance@molex.com)  
 For a multiple part number RoHS Certificate of Compliance, [click here](#)

Please visit the [Contact Us](#) section for any non-product compliance questions.

**Search Parts in this Series**

[74040Series](#)

**Application Tooling | [FAQ](#)**

*Tooling specifications and manuals are found by selecting the products below. Crimp Height Specifications are then contained in the Application Tooling Specification document.*

**Global**

Description	Product #
VHDM® and VHDM-HSD™ Card Stiffener Removal Tool	<a href="#">0622016200</a>
GbX VHDM® and VHDM-HSD™ Insertion Module	<a href="#">0622020214</a>

Data Rate	3.125 Gbps
Shielded	Yes
Voltage - Maximum	120V AC (RMS)/DC

### **Material Info**

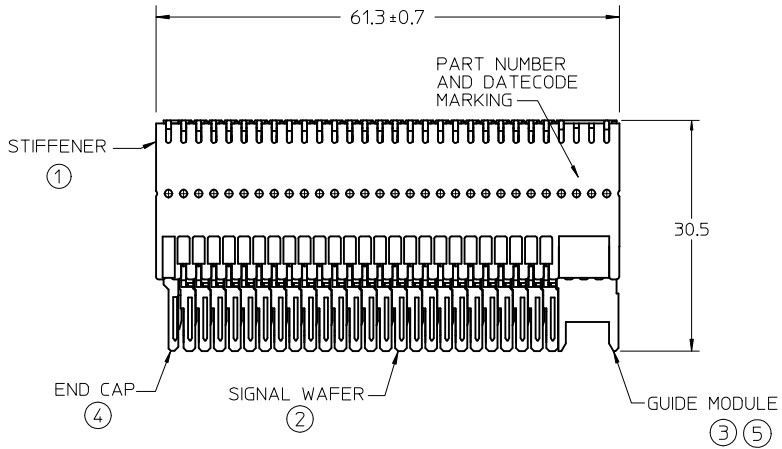
### **Reference - Drawing Numbers**

Packaging Specification	PK-70873-5041
Product Specification	PS-74031-999
Sales Drawing	SD-74040-1343

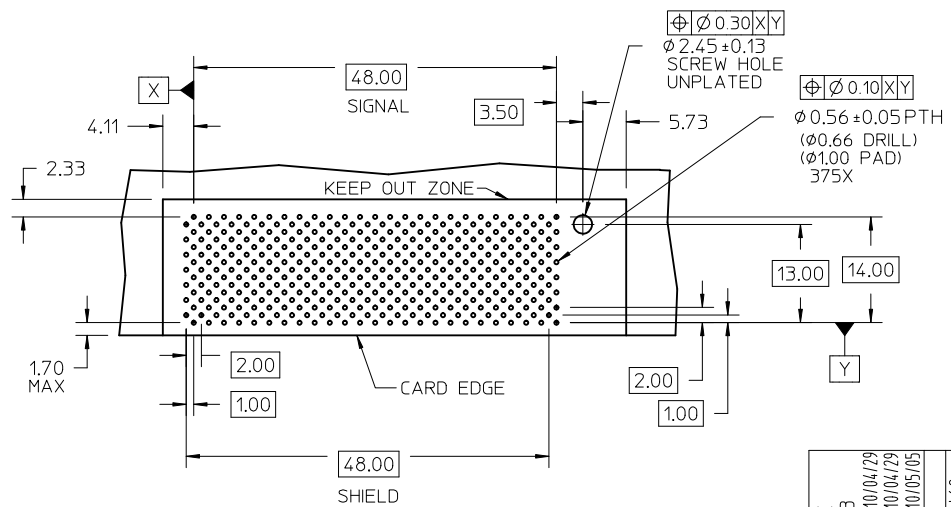
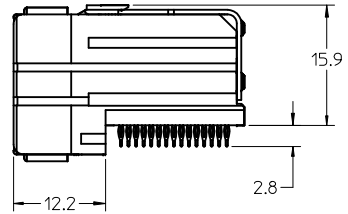
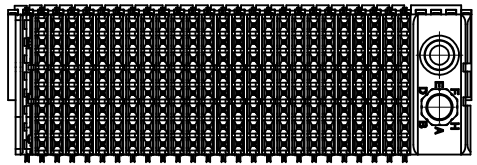
VHDM is a trademark of Amphenol Corporation

This document was generated on 06/07/2010

**PLEASE CHECK [WWW.MOLEX.COM](http://WWW.MOLEX.COM) FOR LATEST PART INFORMATION**



- NOTES:
1. MATERIALS: HOUSING: LIQUID CRYSTAL POLYMER (LCP), GLASS-FILLED, UL94V-0, BLACK, TERMINALS: COPPER ALLOY  
STIFFENER: STAINLESS STEEL
  2. FINISH: SELECTIVE GOLD (Au) IN CONTACT AREA, 0.76 micrometers MINIMUM THICKNESS, SELECTIVE TIN/LEAD (Sn/Pb) IN TAIL AREA, NICKEL (Ni) UNDERPLATE OVERALL.
  3. REFER TO MOLEX PRODUCT SPECIFICATION PS-74031-999 FOR PERFORMANCE SPECIFICATIONS.
  4. PARTS TO BE PACKAGED PER PK-70873-5041.
  5. THIS PART CONFORMS TO CLASS 'B' REQUIREMENTS OF MOLEX COSMETIC SPECIFICATION PS-45499-002.
  6. REFER TO MOLEX DOCUMENT SD-74041-002 FOR ADDITIONAL DETAIL ON THE SIGNAL WAFER.
  7. REFER TO MOLEX DOCUMENT SD-74037-006 FOR ADDITIONAL DETAIL ON THE GUIDANCE MODULE.
  8. SCREWS PACKED IN BAG INSIDE TUBE.
  9. LABEL MARKED WITH MOLEX PART NUMBER AND DATE CODE. LABEL MAY BE REPLACED BY LASER MARKING ON THE STIFFENER.



ITEM	PART NUMBER	DESCRIPTION	QTY
1	74046-0061	STIFFENER	1
2	74041-0001	SIGNAL WAFER	25
3	74037-0008	POLARIZING/GUIDE MODULE	1
4	74038-1001	END CAP	1
5	73726-0000	GUIDE MODULE MTG SCREW	1

DAUGHTERCARD BOARD LAYOUT  
CONNECTOR SIDE

INITIAL RELEASE EC NO: UCP2010-2753 DRWNS:SDANNELLEY 2010/04/29 CHKD:JMELTON 2010/04/29 APPR:SMILLER 2010/05/05	QUALITY SYMBOLS	GENERAL TOLERANCES (UNLESS SPECIFIED)	DIMENSION STYLE MM ONLY	SCALE 2:1	DESIGN UNITS METRIC	THIRD ANGLE PROJECTION
	▽=0	4 PLACES ± --- ± ---	DRAWN BY DATE SDANNELLEY 2010/04/29	TITLE VHDM 8 ROW DAUGHTERCARD END CAP/25 WAFERS/GUIDE SALES DRAWING		
	▽=0	3 PLACES ± --- ± ---	CHECKED BY DATE JMELTON 2010/04/29	MOLEX MOLEX INCORPORATED		
	▽=0	2 PLACES ± 0.25 ± ---	APPROVED BY DATE SMILLER 2010/05/05	MATERIAL NO. 74040-1343	DOCUMENT NO. SD-74040-1343	SHEET NO. 1 OF 1
REV	DESCRIPTION	DRAFT WHERE APPLICABLE MUST REMAIN WITHIN DIMENSIONS		THIS DRAWING CONTAINS INFORMATION THAT IS PROPRIETARY TO MOLEX INCORPORATED AND SHOULD NOT BE USED WITHOUT WRITTEN PERMISSION		